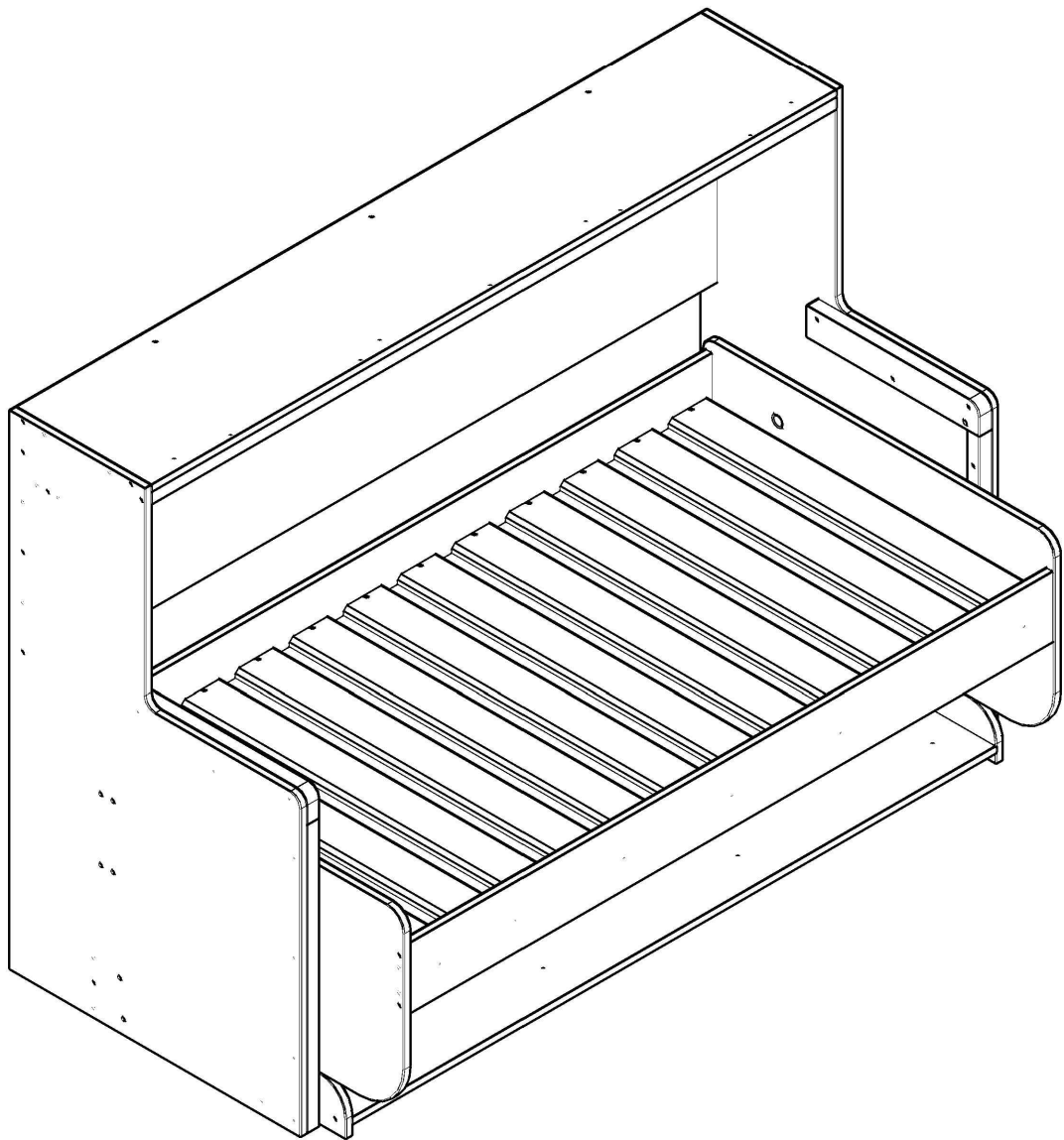


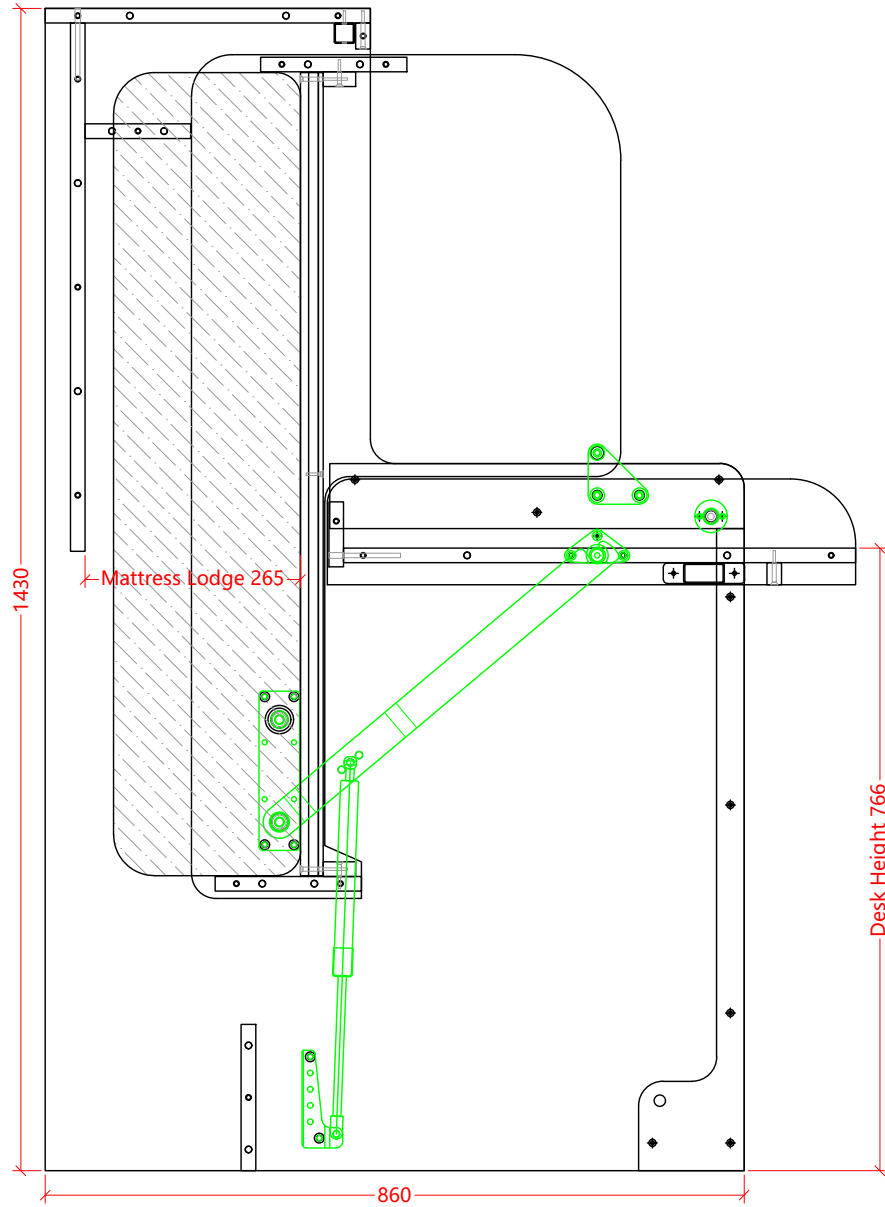
DESK BED TECHNICAL DRAWING FOR HORIZONTAL TWIN-1905x990



<http://www.wallbedchina.com/>

BED SIZE	2061x1430/1905x990	DATE	2025-09-30	
CONFIDENTIAL DRAWINGS ALL REPRODUCTION PROHIBITED	MODEL NO.	PNO-7539	PAGE	C

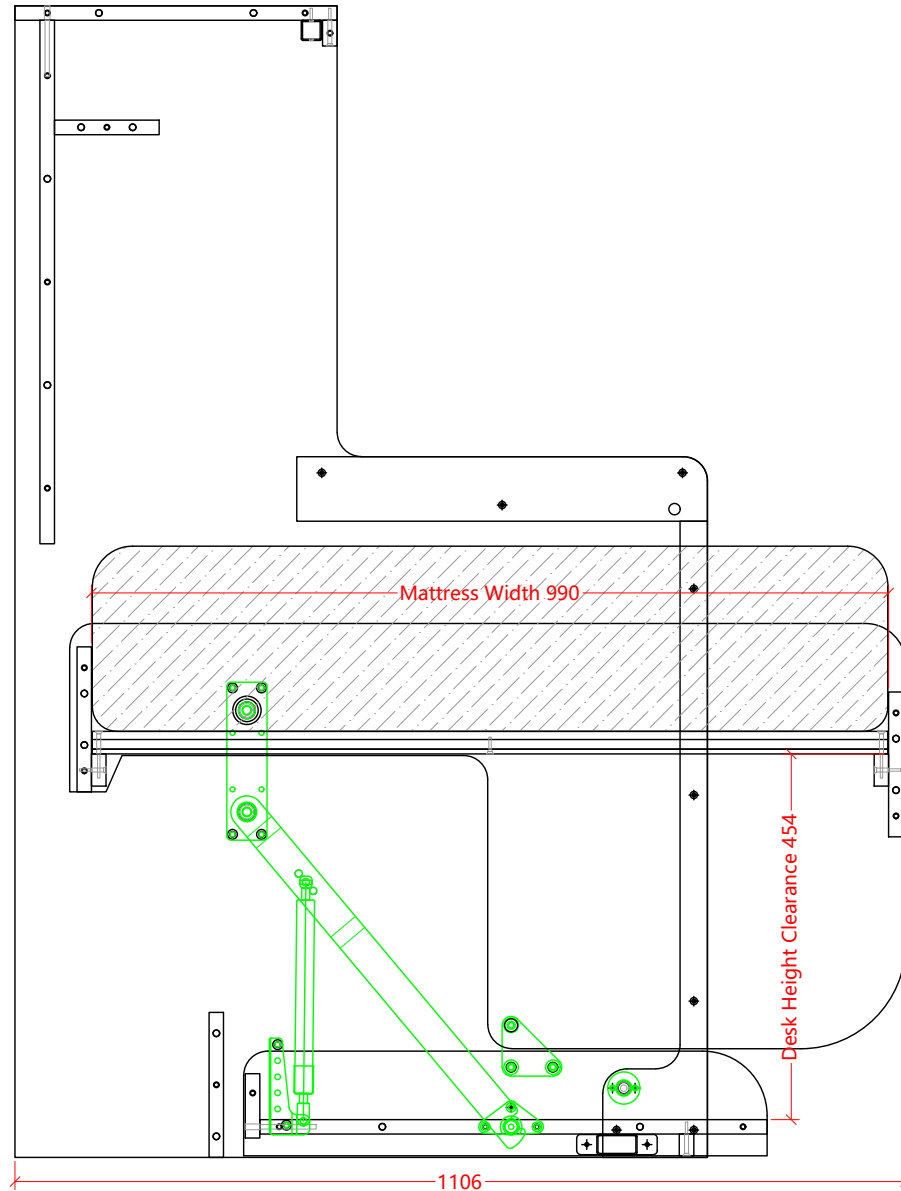
Maxplus Industrial



DESK POSITION

<http://www.wallbedchina.com/>

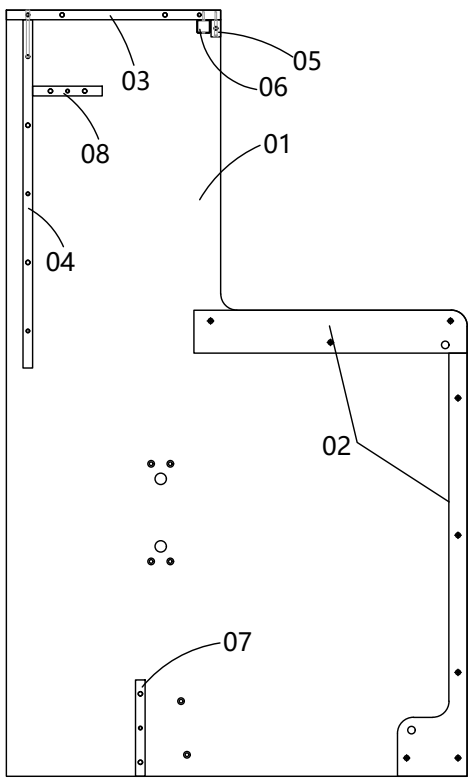
BED SIZE	2061x1430/1905x990	DATE	2025-09-30	Maxplus Industrial	
CONFIDENTIAL DRAWINGS ALL REPRODUCTION PROHIBITED	MODEL NO.	PNO-7539	PAGE		



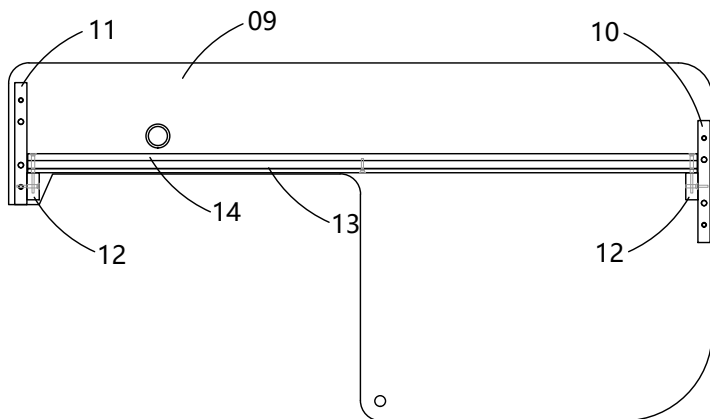
BED POSITION

<http://www.wallbedchina.com/>

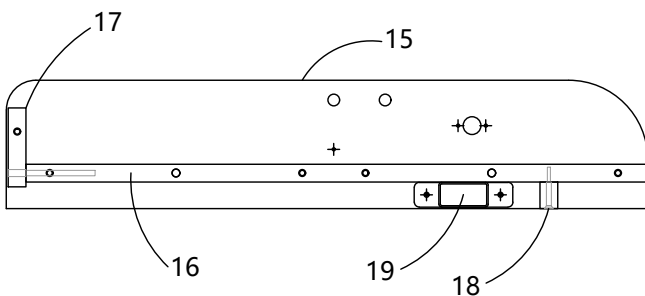
BED SIZE	2061x1430/1905x990	DATE	2025-09-30	Maxplus Industrial
CONFIDENTIAL DRAWINGS ALL REPRODUCTION PROHIBITED	MODEL NO.	PNO-7539	PAGE	



BODY PART LIST		
NO.	PART NAME	QTY
01	BODY SIDE 1 left, 1 right	2
02	BODY CONCEALER 1 left, 1 right	2
03	BODY TOP	1
04	BODY BACK	1
05	TOP STRECHER	1
06	TOP STIFFENER	1
07	BODY BOTTOM	1
08	BED STOP 1 left, 1 right	2



BED PART LIST		
NO.	PART NAME	QTY
09	BED SIDE 1 left, 1 right	2
10	BED FRONT RAIL	1
11	BED REAR RAIL	1
12	SLAT CLEAT	2
13	SLAT COVER	1
14	WOOD SLAT	12



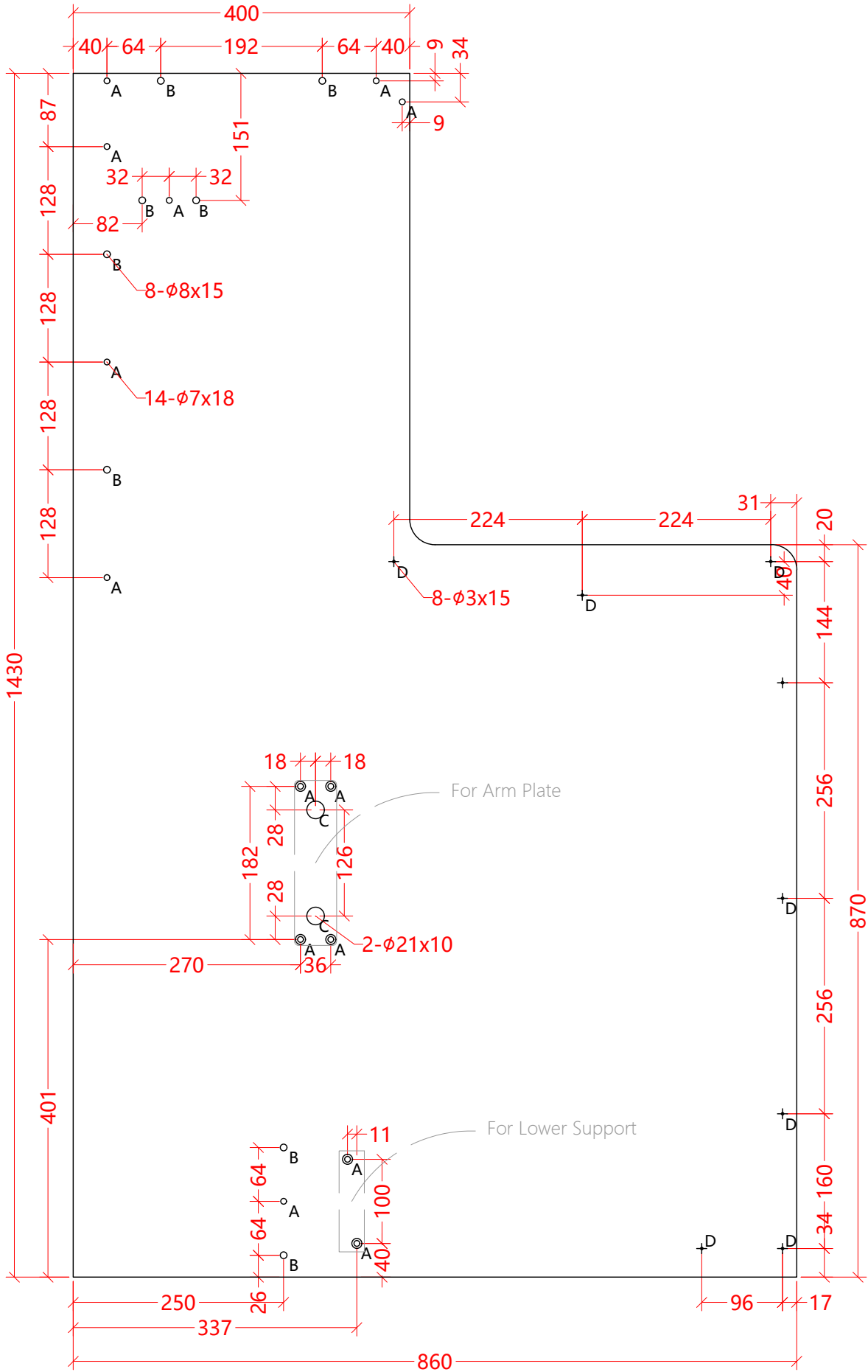
DESK PART LIST		
NO.	PART NAME	QTY
15	DESK SIDE 1 left, 1 right	2
16	DESKTOP	1
17	DESK BACK	1
18	DESK STRECHER	1
19	DESK STIFFENER	1

PART LIST

http://www.wallbedchina.com/

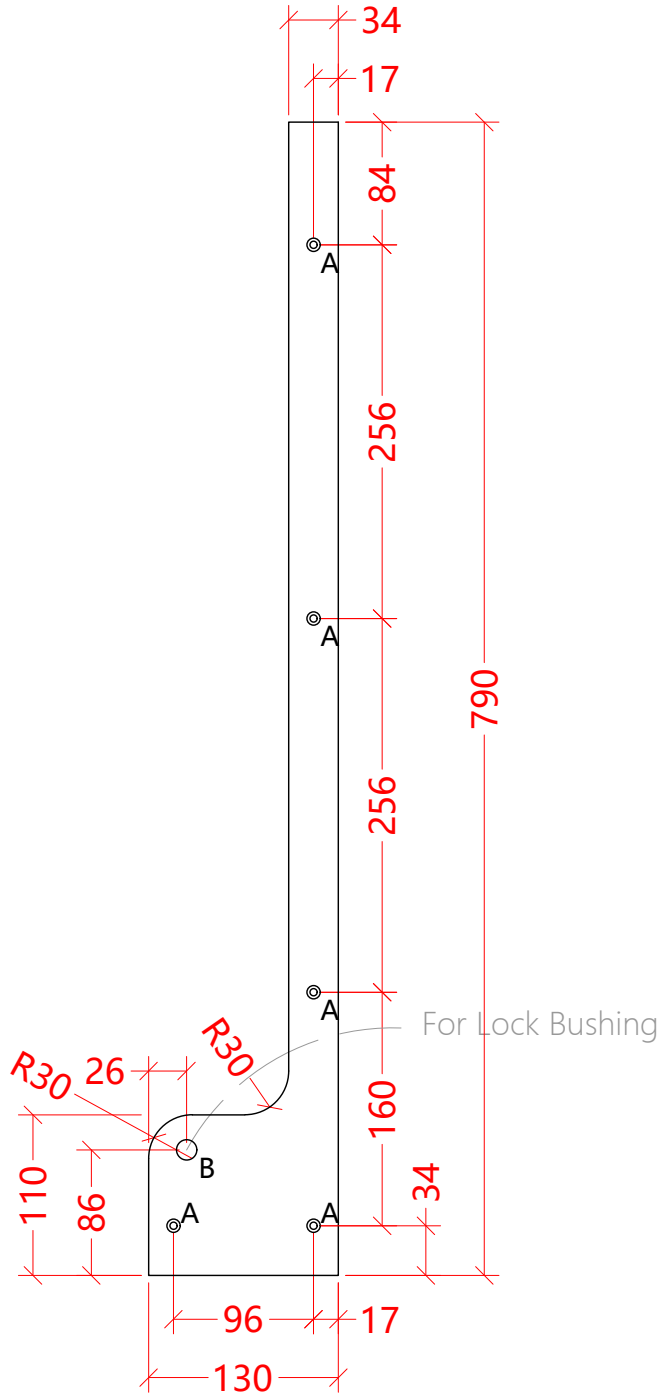
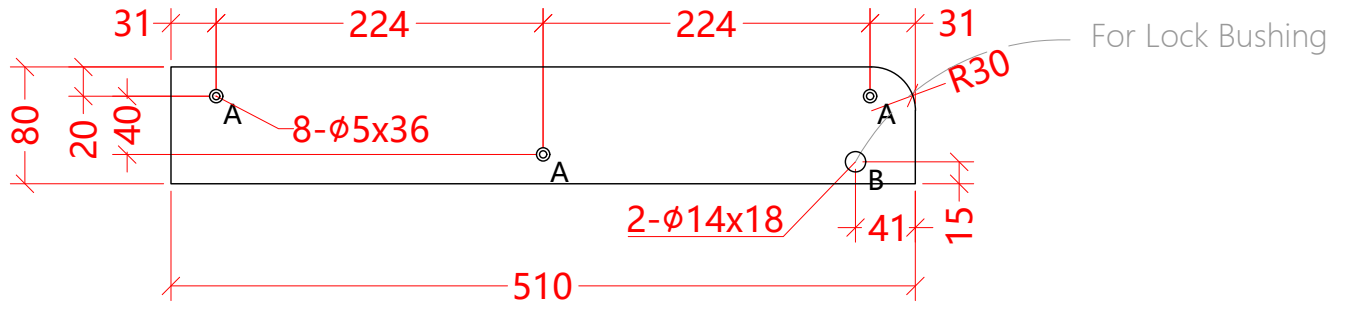
BED SIZE	2061x1430/1905x990	DATE	2025-09-30
CONFIDENTIAL DRAWINGS ALL REPRODUCTION PROHIBITED	MODEL NO.	PNO-7539	PAGE PL

Maxplus Industrial



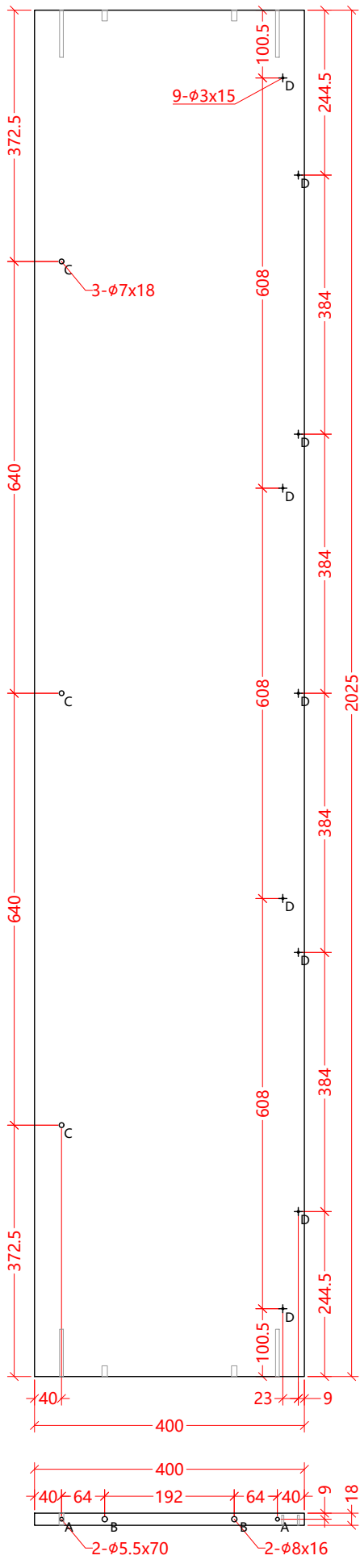
unit: mm

QUANTITY	2 1 left, 1 right	MATERIAL	MDF/PB/MFC THICKNESS 18 mm	PART NAME	BODY SIDE
BED SIZE	2061x1430/1905x990	DATE	2025-09-30	Maxplus Industrial	
CONFIDENTIAL DRAWINGS ALL REPRODUCTION PROHIBITED	MODEL NO.	PNO-7539	PAGE		



unit: mm

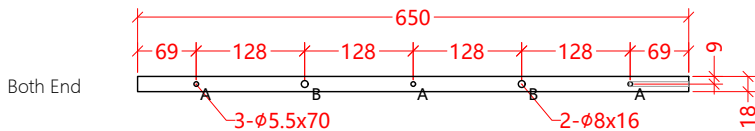
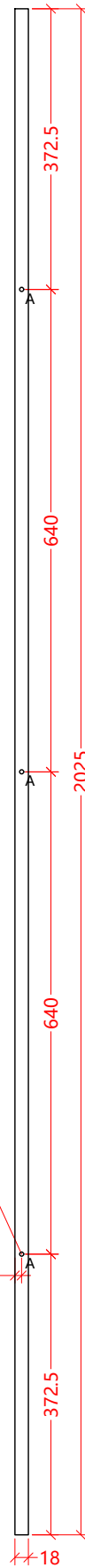
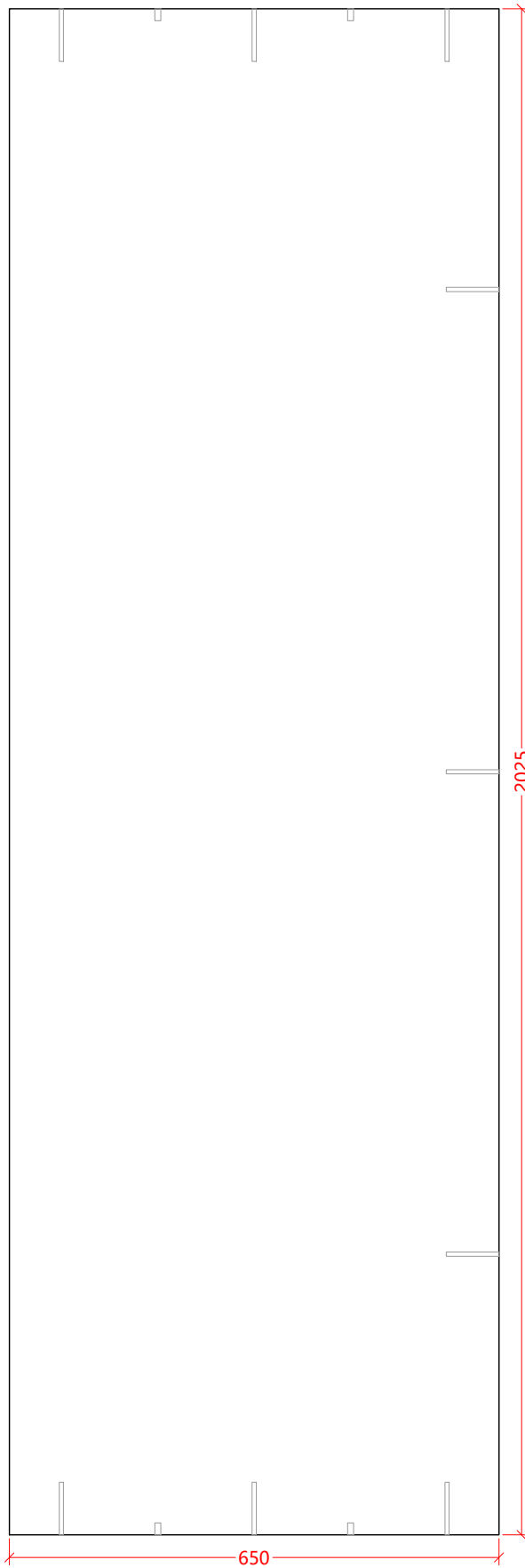
QUANTITY	2 1 left, 1 right	MATERIAL	MDF/PB/MFC	THICKNESS	36 mm	PART NAME	BODY SIDE CONCEALER
BED SIZE	2061x1430/1905x990	DATE	2025-09-30	Maxplus Industrial			
CONFIDENTIAL DRAWINGS ALL REPRODUCTION PROHIBITED		MODEL NO.	PNO-7539				



Front

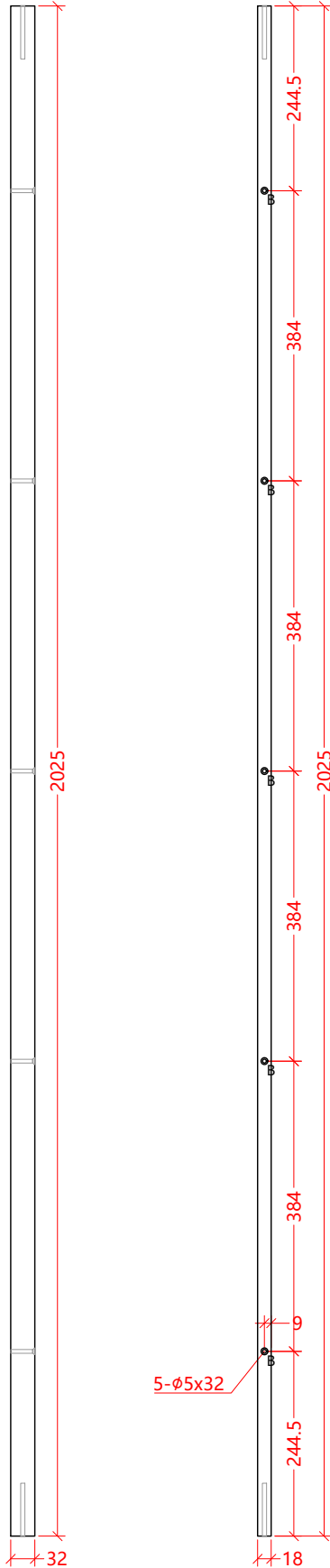
unit: mm

QUANTITY	1	MATERIAL	MDF/PB/MFC THICKNESS	18 mm	PART NAME	BODY TOP
BED SIZE	2061x1430/1905x990	DATE	2025-09-30		Maxplus Industrial	
CONFIDENTIAL DRAWINGS ALL REPRODUCTION PROHIBITED		MODEL NO.	PNO-7539	PAGE		



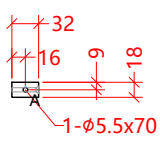
unit: mm

QUANTITY	1	MATERIAL	MDF/PB/MFC	THICKNESS	18 mm	PART NAME	BODY BACK
BED SIZE	2061x1430/1905x990	DATE	2025-09-30	Maxplus Industrial			
CONFIDENTIAL DRAWINGS ALL REPRODUCTION PROHIBITED		MODEL NO.	PNO-7539				



5- ϕ 5x32

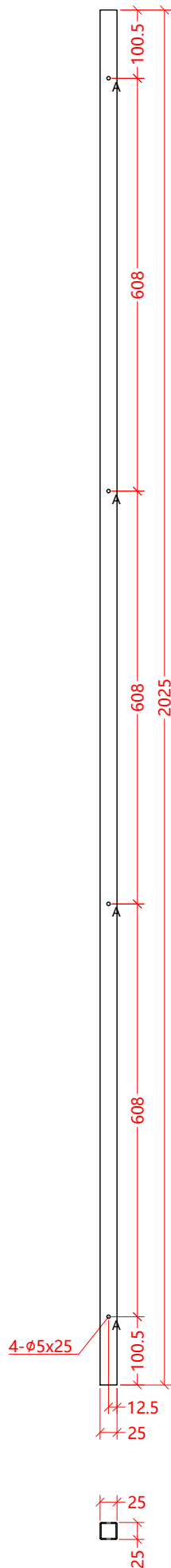
Both End



unit: mm

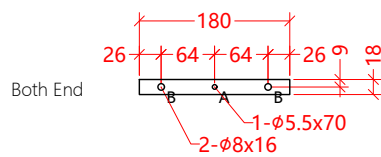
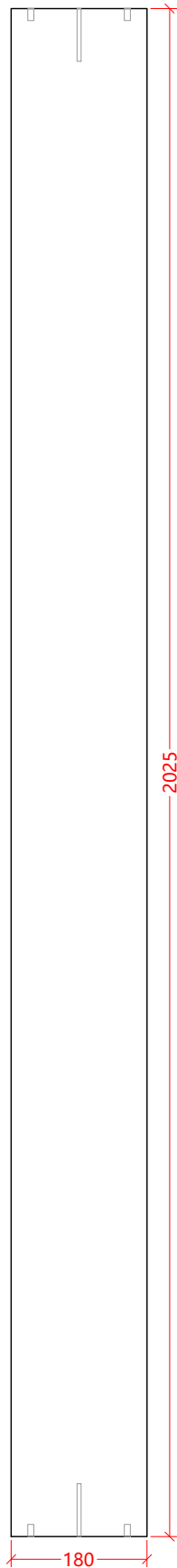
<http://www.wallbedchina.com/>

QUANTITY	1	MATERIAL	MDF/PB/MFC	THICKNESS	18 mm	PART NAME	TOP STRECHER
BED SIZE	2061x1430/1905x990		DATE	2025-09-30		Maxplus Industrial	
CONFIDENTIAL DRAWINGS ALL REPRODUCTION PROHIBITED		MODEL NO.	PNO-7539	PAGE	05		



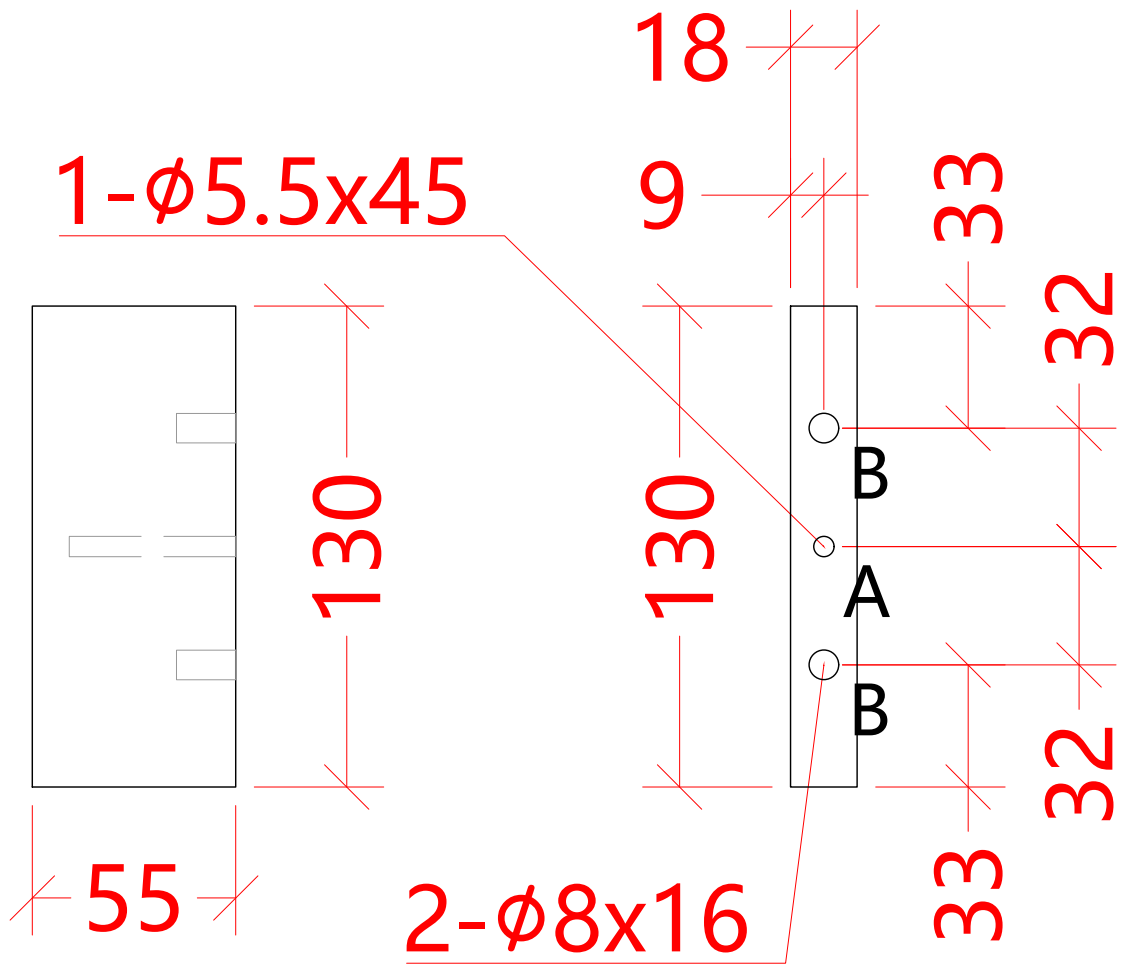
unit: mm

QUANTITY	1	MATERIAL	STEEL TUBE	THICKNESS 1.5 mm	PART NAME	TOP STIFFENER
BED SIZE	2061x1430/1905x990		DATE	2025-09-30		Maxplus Industrial
CONFIDENTIAL DRAWINGS ALL REPRODUCTION PROHIBITED		MODEL NO.	PNO-7539	PAGE	06	



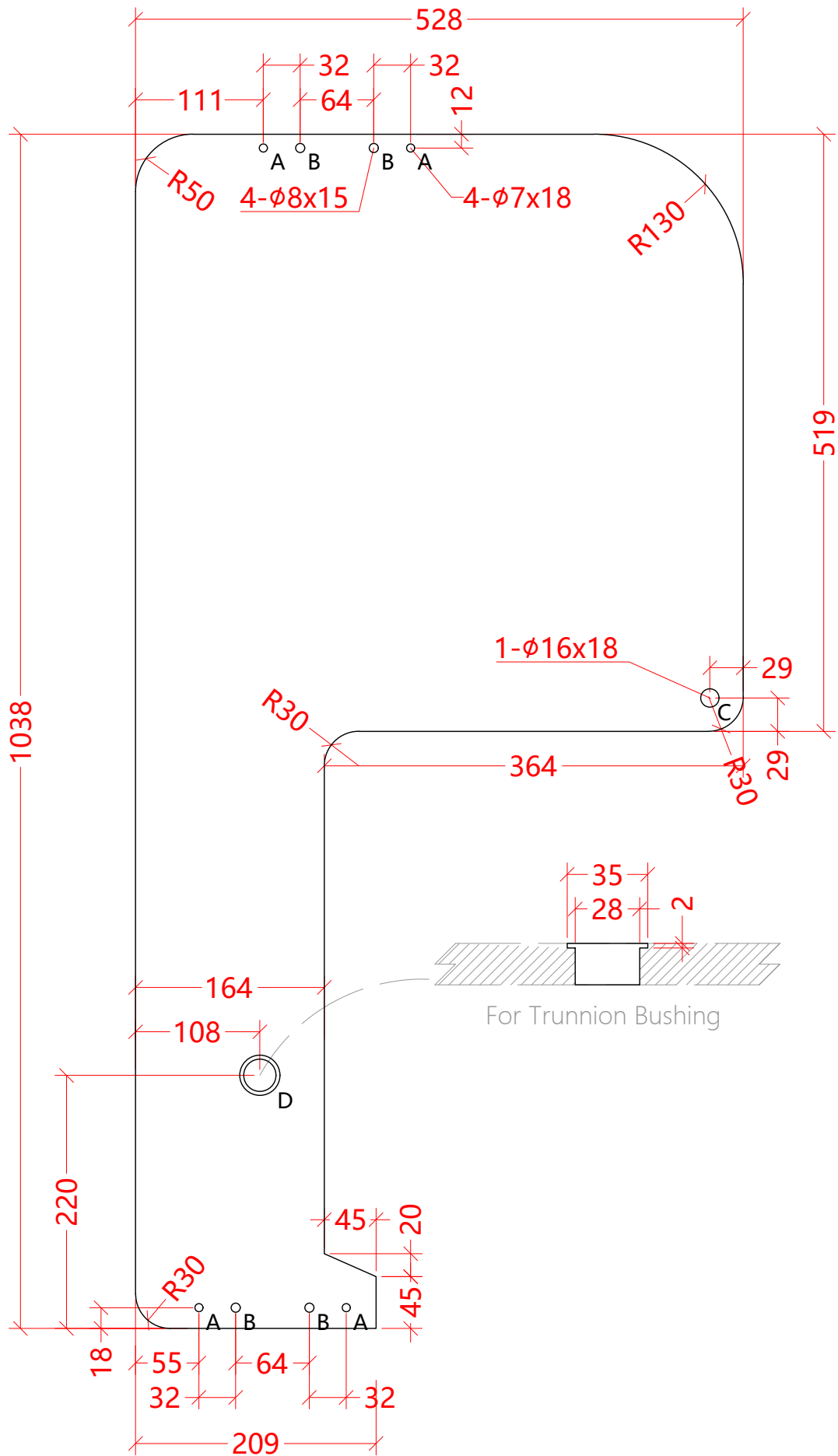
unit: mm

QUANTITY	1	MATERIAL	MDF/PB/MFC	THICKNESS	18 mm	PART NAME	BODY BOTTOM
BED SIZE	2061x1430/1905x990		DATE	2025-09-30		Maxplus Industrial	
CONFIDENTIAL DRAWINGS ALL REPRODUCTION PROHIBITED		MODEL NO.	PNO-7539	PAGE	07		



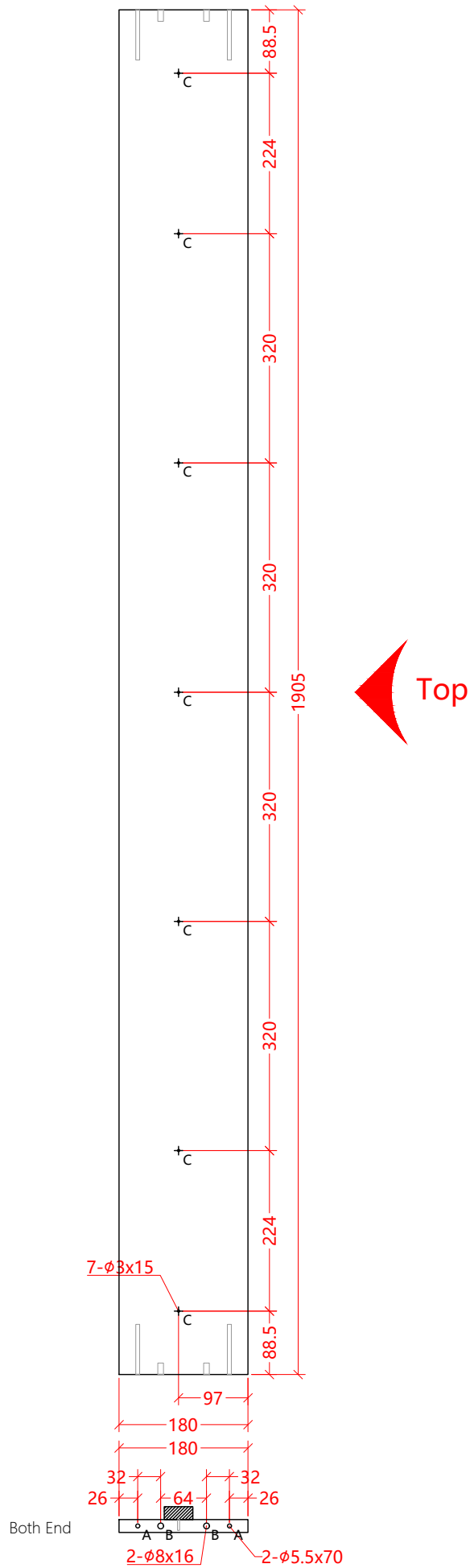
unit: mm

QUANTITY	2	MATERIAL	MDF/PB/MFC	THICKNESS	18 mm	PART NAME	BED STOP
BED SIZE	2061x1430/1905x990		DATE	2025-09-30		Maxplus Industrial	
CONFIDENTIAL DRAWINGS ALL REPRODUCTION PROHIBITED		MODEL NO.	PNO-7539	PAGE	08		



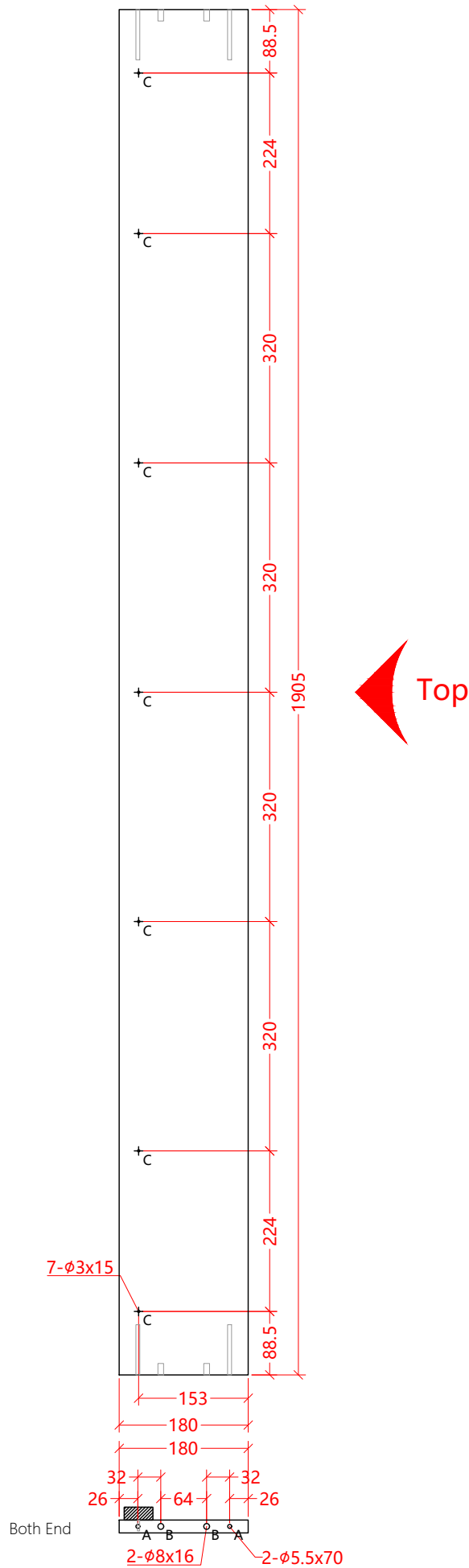
unit: mm

QUANTITY	2 1 left, 1 right	MATERIAL	MDF/PB/MFC	THICKNESS	18 mm	PART NAME	BED SIDE
BED SIZE	2061x1430/1905x990	DATE	2025-09-30		<h1>Maxplus Industrial</h1>		
CONFIDENTIAL DRAWINGS ALL REPRODUCTION PROHIBITED		MODEL NO.	PNO-7539	PAGE			



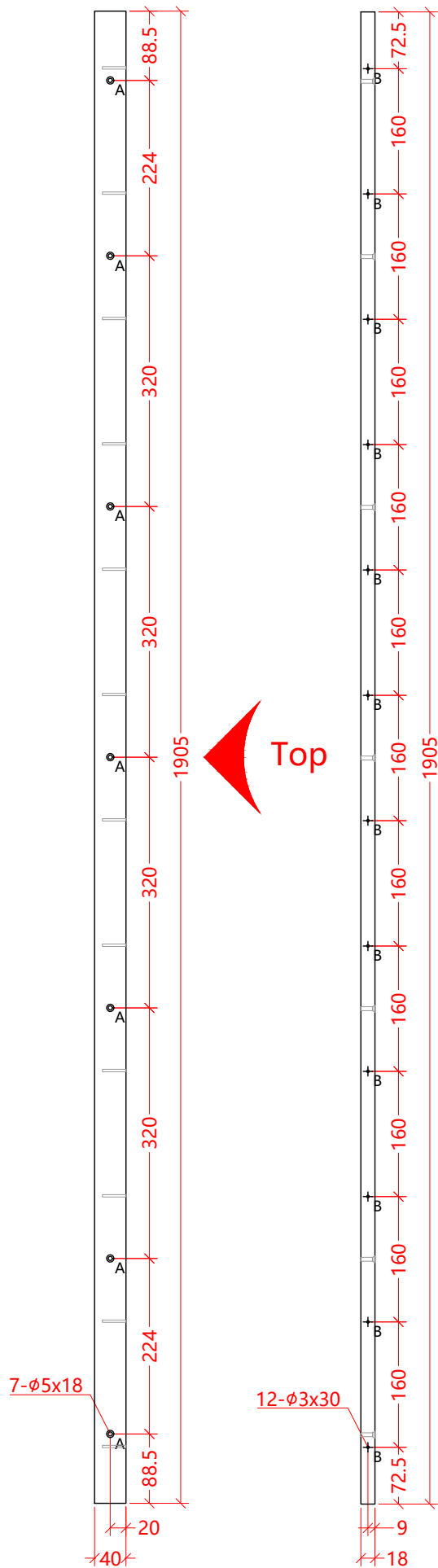
unit: mm

QUANTITY	1	MATERIAL	MDF/PB/MFC	THICKNESS	18 mm	PART NAME	BED FRONT RAIL
BED SIZE	2061x1430/1905x990		DATE	2025-09-30		Maxplus Industrial	
CONFIDENTIAL DRAWINGS ALL REPRODUCTION PROHIBITED		MODEL NO.	PNO-7539	PAGE	10		



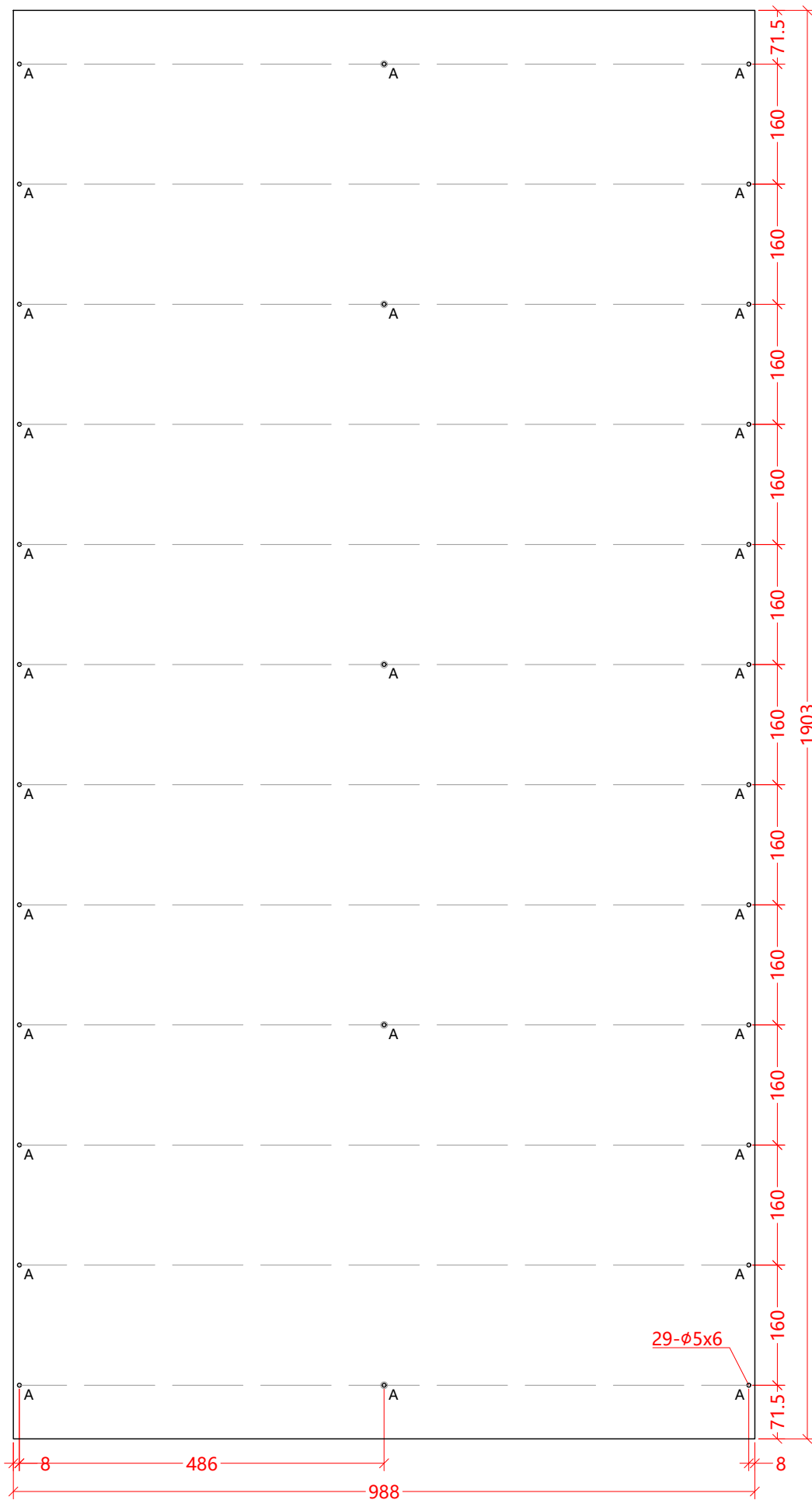
unit: mm

QUANTITY	1	MATERIAL	MDF/PB/MFC THICKNESS	18 mm	PART NAME	BED REAR RAIL
BED SIZE	2061x1430/1905x990	DATE	2025-09-30		<h1>Maxplus Industrial</h1>	
CONFIDENTIAL DRAWINGS ALL REPRODUCTION PROHIBITED	MODEL NO.	PNO-7539	PAGE	11		



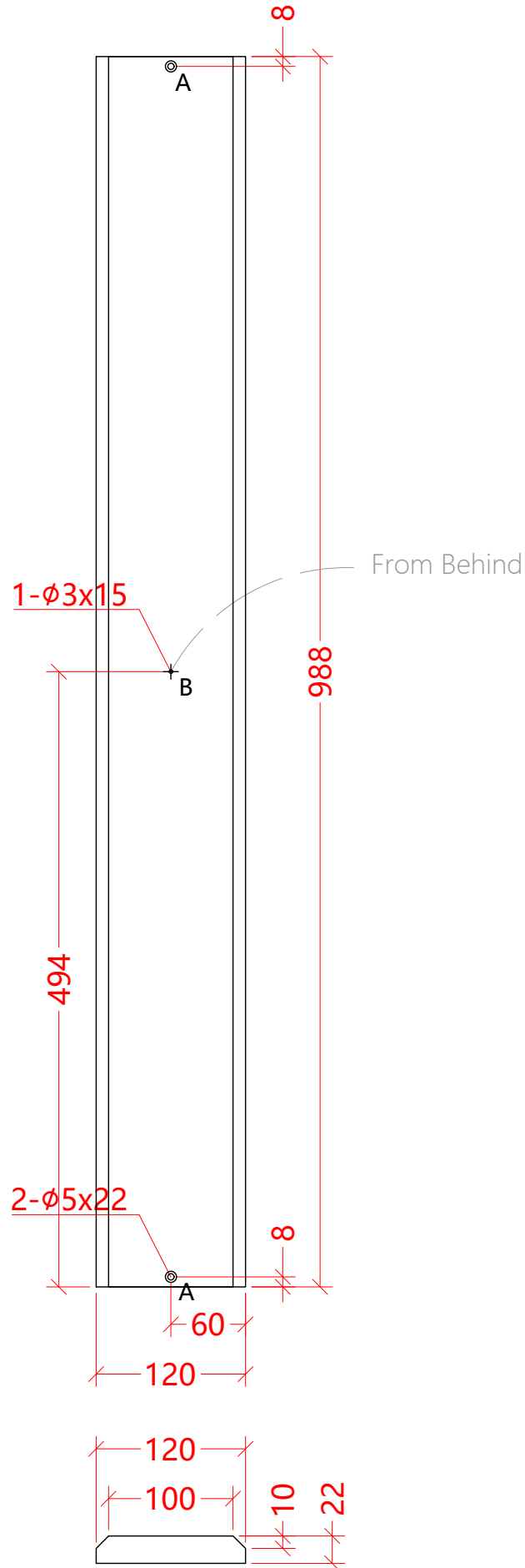
unit: mm

QUANTITY	2	MATERIAL	MDF/PB/MFC	THICKNESS	18 mm	PART NAME	SLAT CLEAT
BED SIZE	2061x1430/1905x990		DATE	2025-09-30		<h1>Maxplus Industrial</h1>	
CONFIDENTIAL DRAWINGS ALL REPRODUCTION PROHIBITED		MODEL NO.	PNO-7539	PAGE	12		



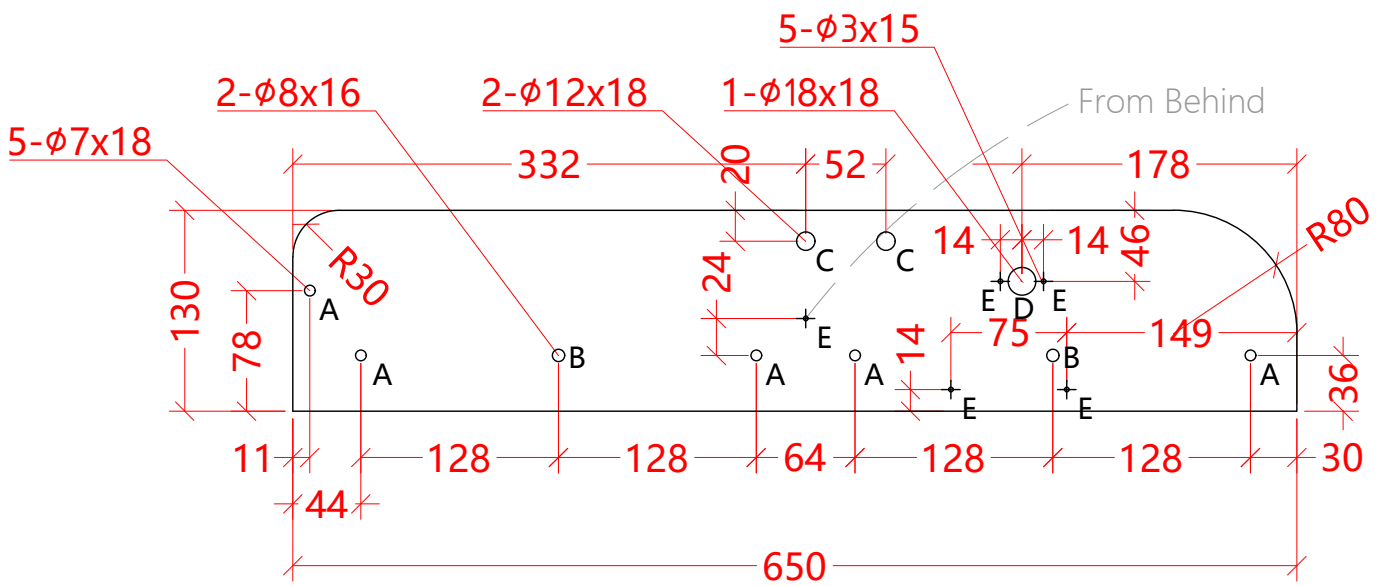
unit: mm

QUANTITY	1	MATERIAL	MDF/PB/MFC	THICKNESS	6 mm	PART NAME	SLAT COVER
BED SIZE	2061x1430/1905x990	DATE	2025-09-30	Maxplus Industrial			
CONFIDENTIAL DRAWINGS ALL REPRODUCTION PROHIBITED		MODEL NO.	PNO-7539				



unit: mm

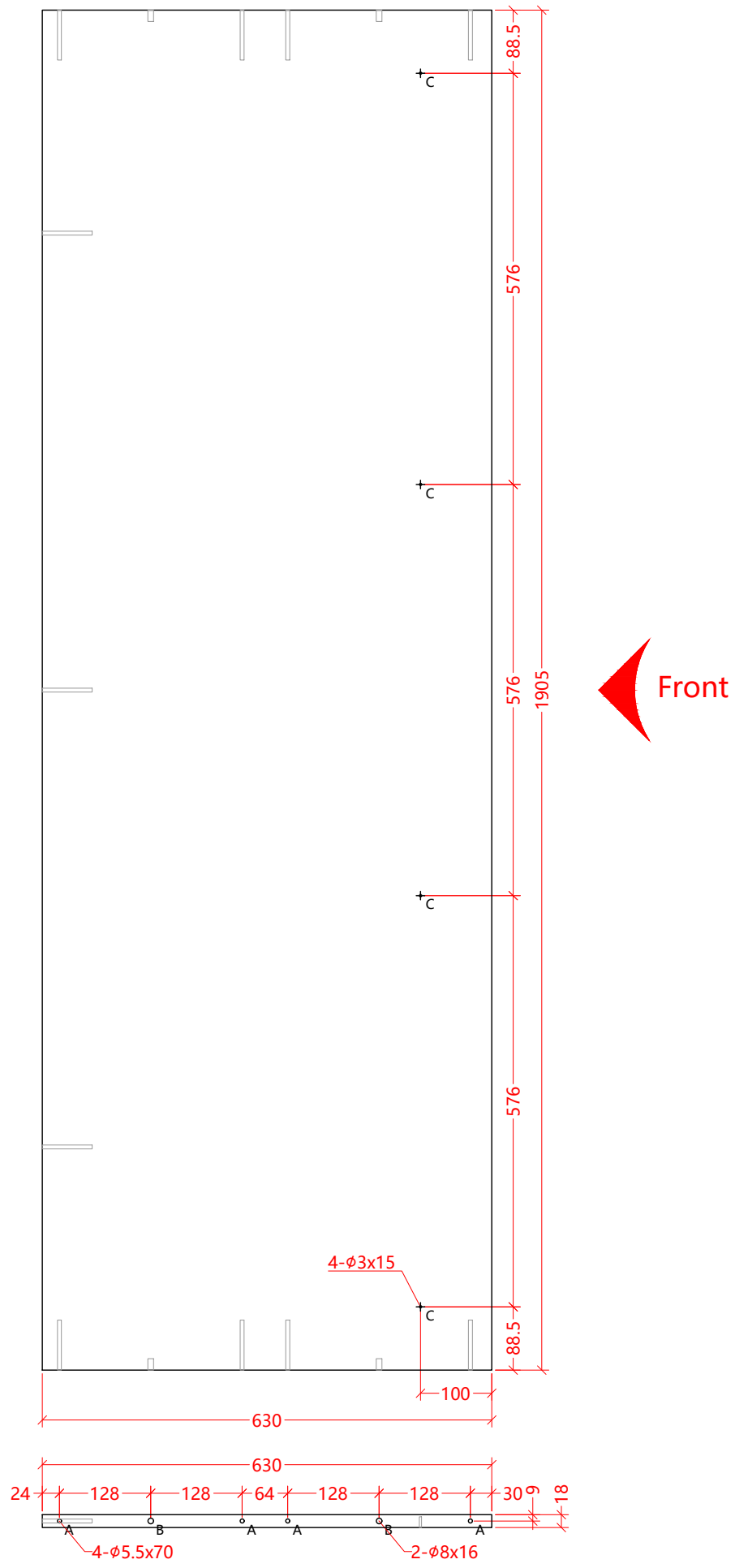
QUANTITY	12	MATERIAL	SOLID WOOD THICKNESS 22 mm	PART NAME	BED SLAT
BED SIZE	2061x1430/1905x990	DATE	2025-09-30	Maxplus Industrial	
CONFIDENTIAL DRAWINGS ALL REPRODUCTION PROHIBITED	MODEL NO.	PNO-7539	PAGE		



unit: mm

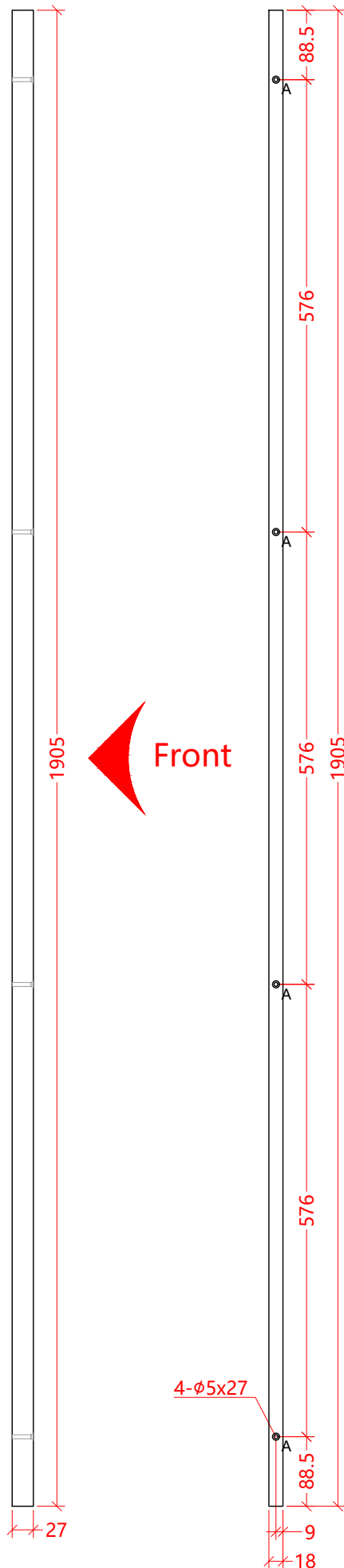
QUANTITY	2 1 left, 1 right	MATERIAL	MDF/PB/MFC	THICKNESS	18 mm	PART NAME	DESK SIDE
BED SIZE	2061x1430/1905x990	DATE	2025-09-30	Maxplus Industrial			
CONFIDENTIAL DRAWINGS ALL REPRODUCTION PROHIBITED		MODEL NO.	PNO-7539				

http://www.wallbedchina.com/



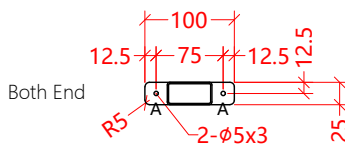
unit: mm

QUANTITY	1	MATERIAL	MDF/PB/MFC	THICKNESS	18 mm	PART NAME	DESKTOP
BED SIZE	2061x1430/1905x990		DATE	2025-09-30		Maxplus Industrial	
CONFIDENTIAL DRAWINGS ALL REPRODUCTION PROHIBITED		MODEL NO.	PNO-7539	PAGE	16		



unit: mm

QUANTITY	1	MATERIAL	MDF/PB/MFC	THICKNESS	18 mm	PART NAME	DESK STRECHER
BED SIZE	2061x1430/1905x990	DATE	2025-09-30	Maxplus Industrial			
CONFIDENTIAL DRAWINGS ALL REPRODUCTION PROHIBITED		MODEL NO.	PNO-7539				



unit: mm

QUANTITY	1	MATERIAL	STEEL TUBE	THICKNESS	1.5 mm	PART NAME	DESK STIFFENER
BED SIZE	2061x1430/1905x990		DATE	2025-09-30		<h1>Maxplus Industrial</h1>	
CONFIDENTIAL DRAWINGS ALL REPRODUCTION PROHIBITED		MODEL NO.	PNO-7539	PAGE	19		